



# Serial Attached SCSI Quiz answers



by Rob Elliott

HP Industry Standard Servers

Server Storage Advanced Technology

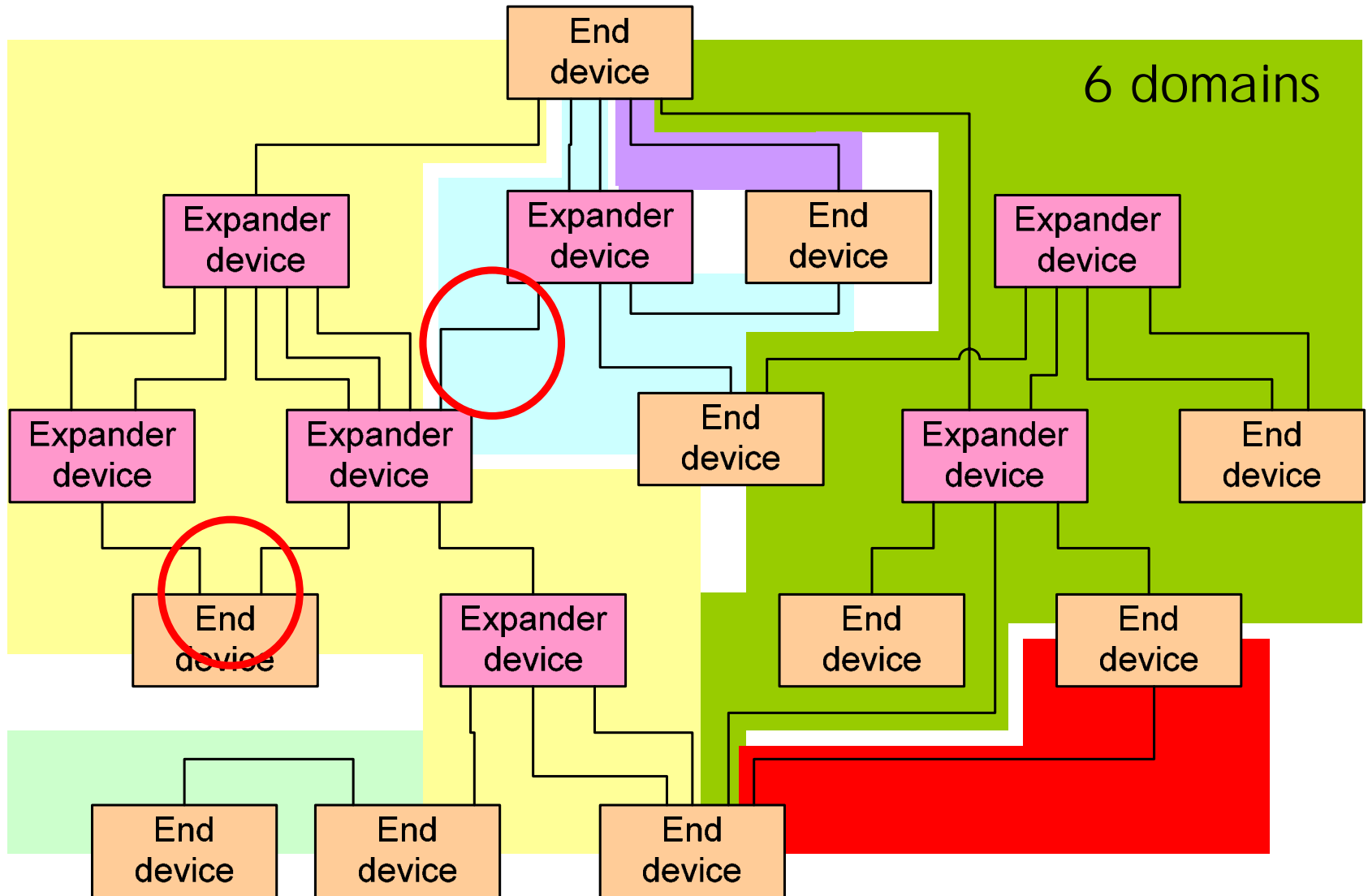
[elliott@hp.com](mailto:elliott@hp.com) <http://www.hp.com>

30 September 2003

- These slides are freely distributed by HP through the SCSI Trade Association (<http://www.scsita.org>)
- STA members are welcome to borrow any number of the slides (in whole or in part) for other presentations, provided credit is given to the SCSI Trade Association and HP
- This compilation is © 2003 Hewlett-Packard Corporation



# SAS expander topology answer

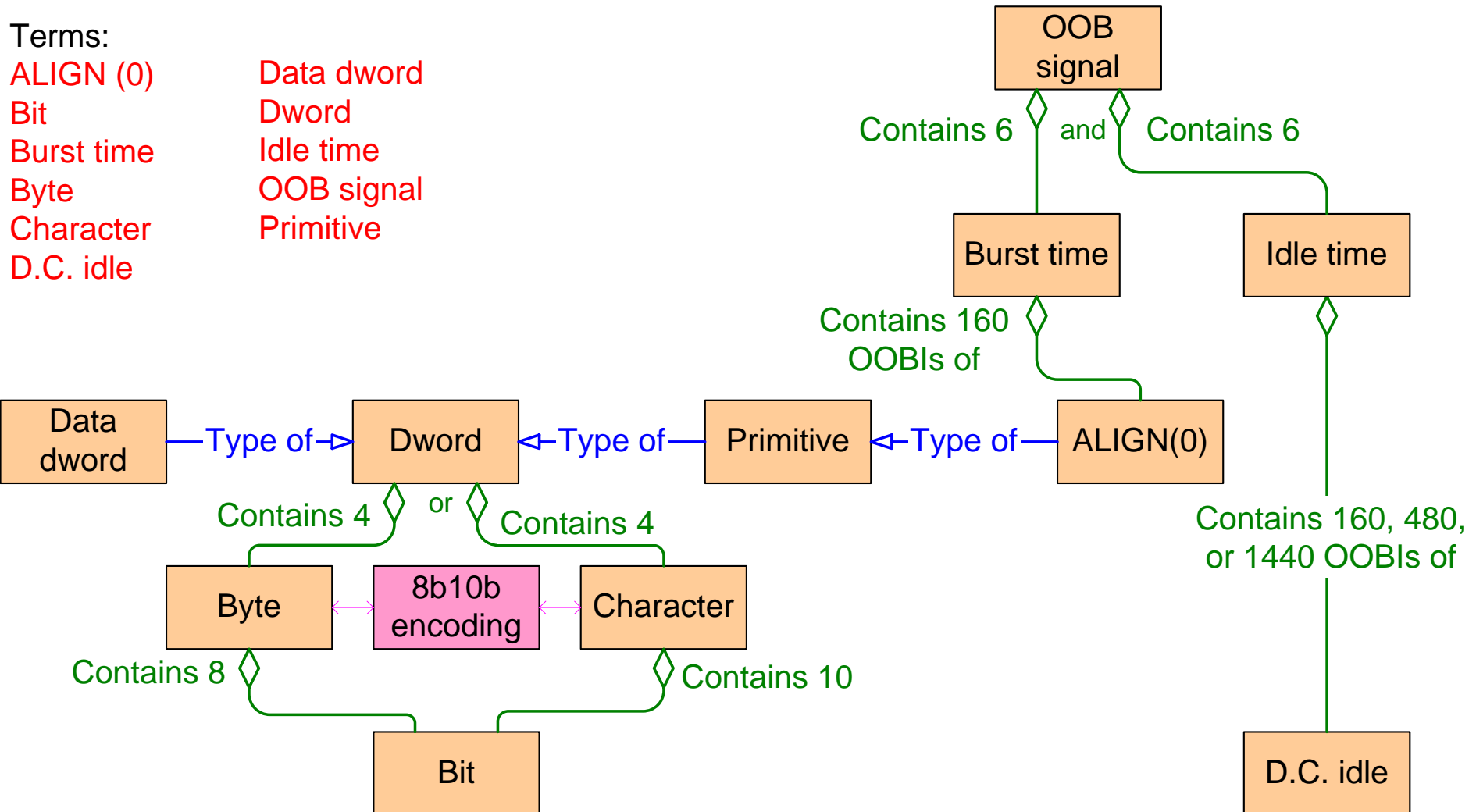


# SAS phy layer terms answer



Terms:  
 ALIGN (0)  
 Bit  
 Burst time  
 Byte  
 Character  
 D.C. idle

Data dword  
 Dword  
 Idle time  
 OOB signal  
 Primitive

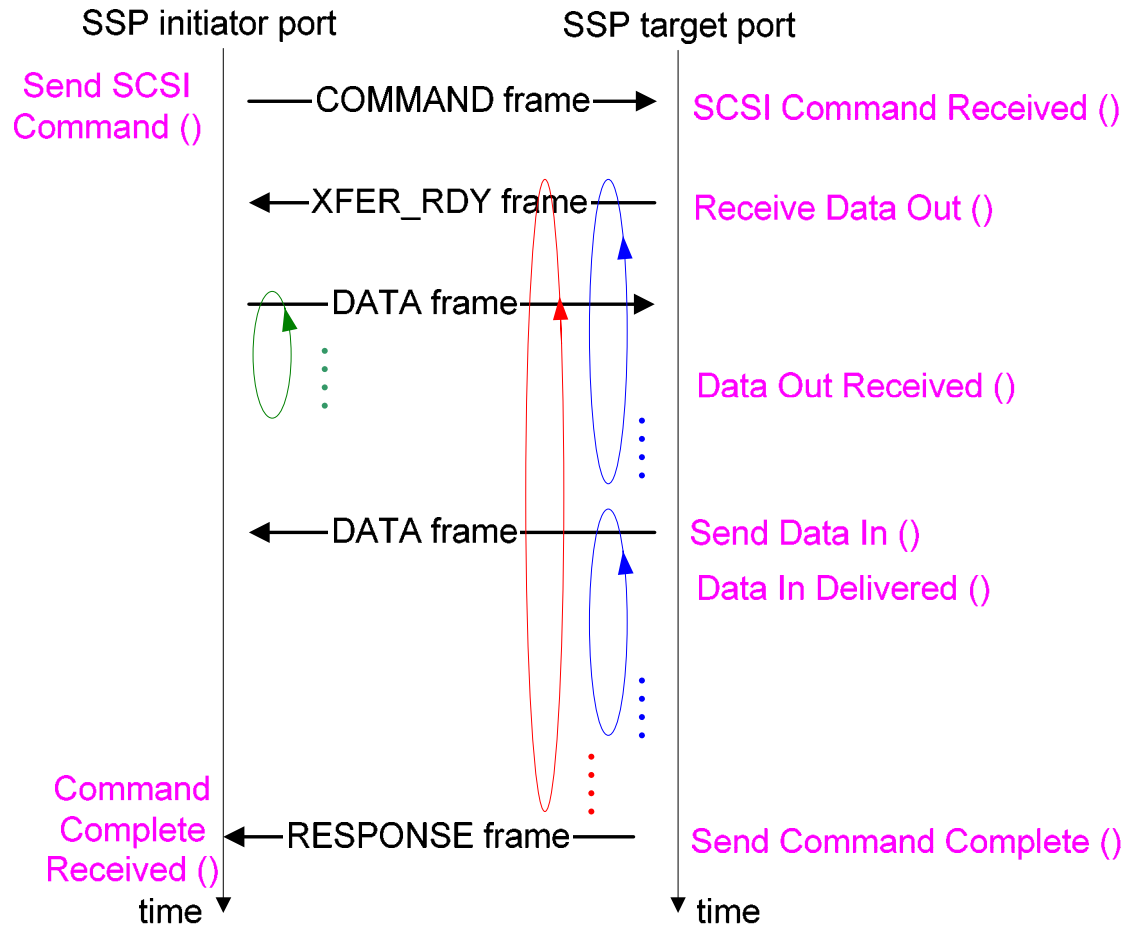


# SAS link layer expected results answers



	Send	Expect to receive
No connection	IDENTIFY address frame or HARD_RESET	IDENTIFY address frame or HARD_RESET
	OPEN address frame	AIP, OPEN_ACCEPT, OPEN_REJECT
Connection established	CLOSE	CLOSE
	BREAK	BREAK
SATA/ STP connection	SATA_X_RDY	SATA_R_RDY
	SATA_R_RDY	SATA_SOF
	SATA_SOF	SATA_R_IP
	SATA_EOF	SATA_R_OK, SATA_R_ERR
	SATA_SYNC	SATA_SYNC
SSP connection	RRDY	SOF
	EOF	ACK or NAK
	DONE	DONE
SMP connection	SMP request frame	SMP response frame

# SAS transport layer quiz answers





**i n v e n t**