



Module 2: SAS Positioning

SAS's Value, Key Messages & Technology Usage

Harry Mason, Director, Industry Marketing LSI
Marty Czekalski, Sr. Staff Program Manager, Seagate

Presenters



◆ Harry Mason harry.mason@lsi.com

- Director Industry Marketing, LSI Corp.
- STA President

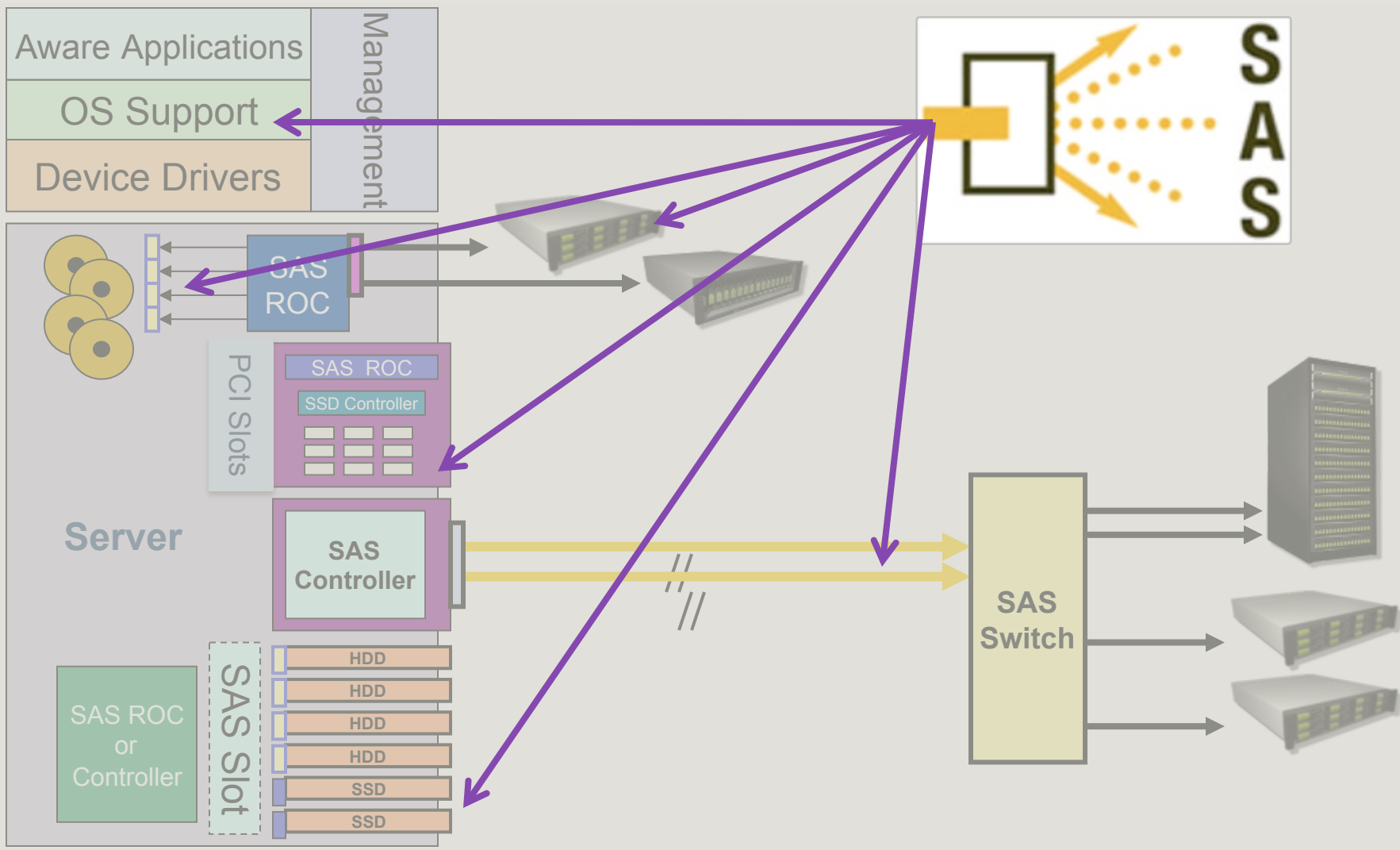


◆ Marty Czekalski marty.w.czekalski@seagate.com

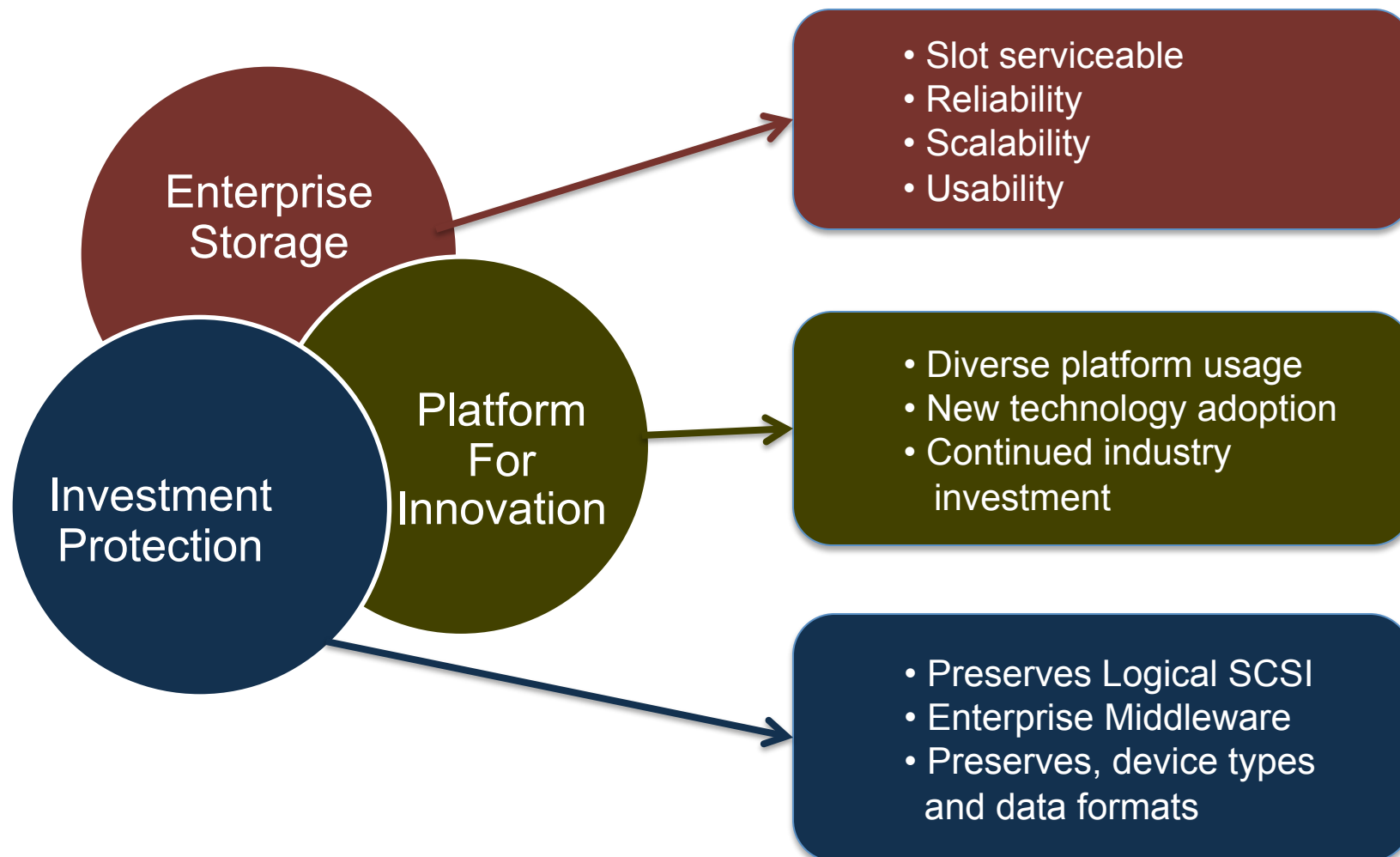
- Sr. Staff Program Manager, Seagate
- STA Vice President



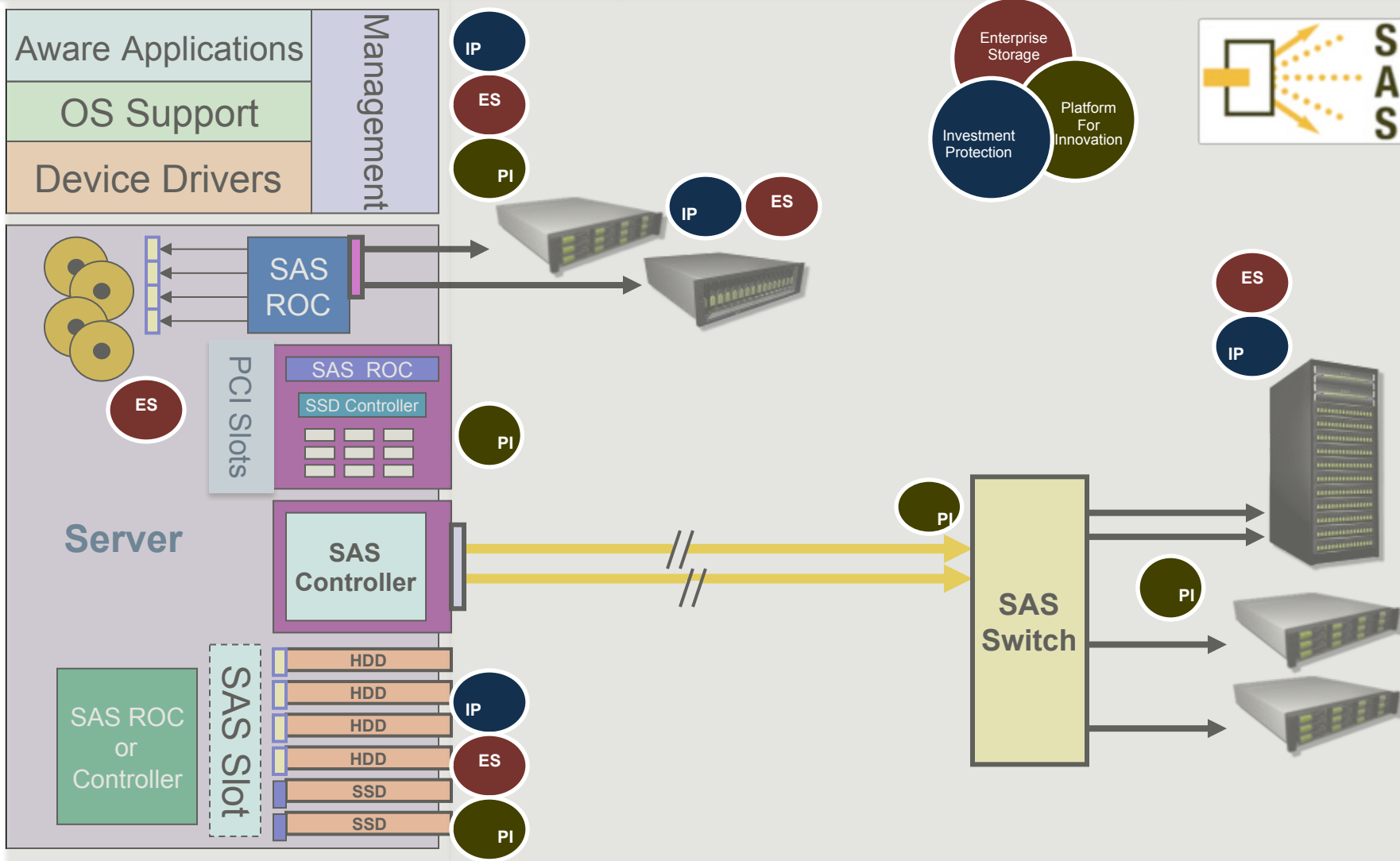
Centers of SAS Value



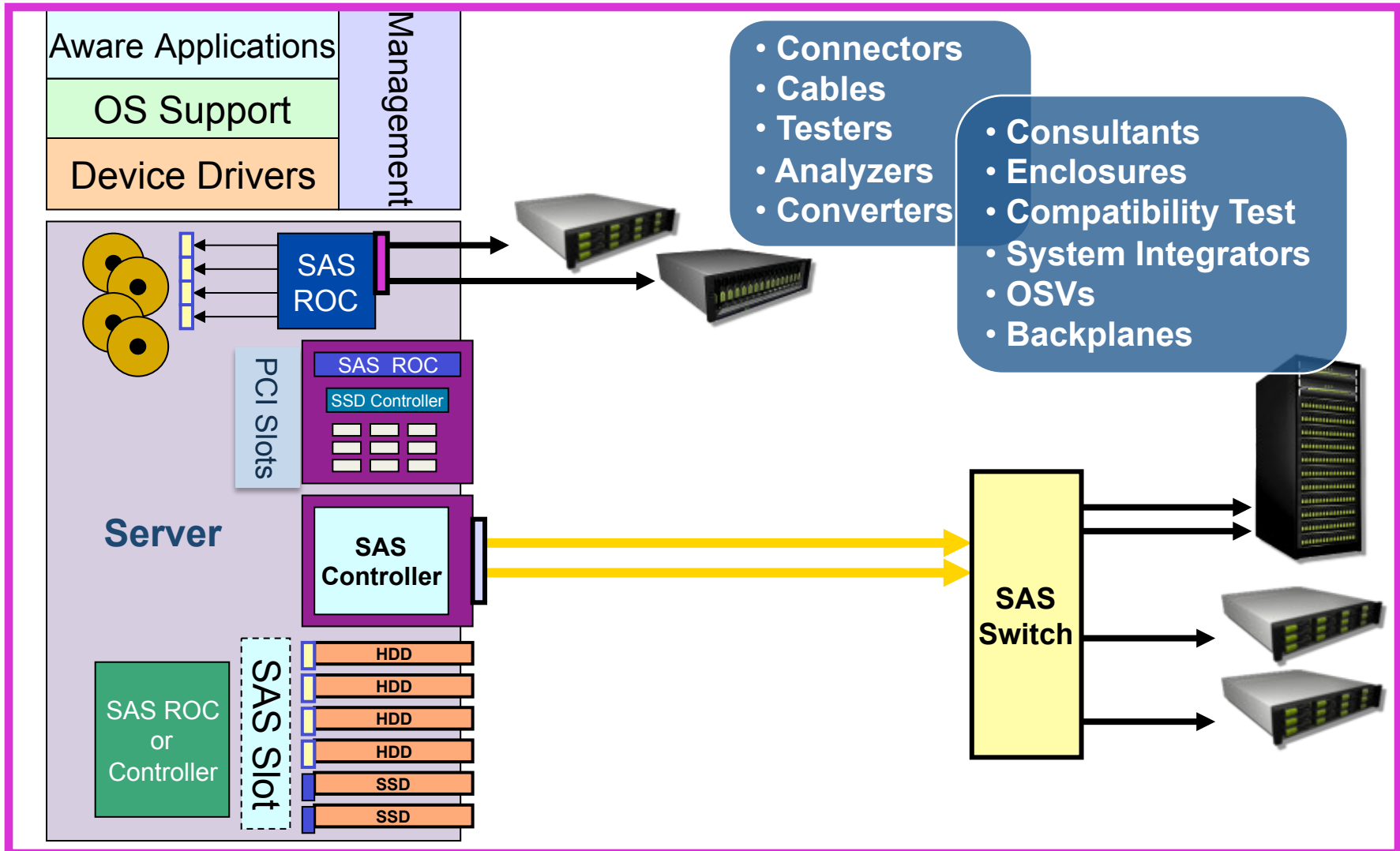
SAS – Preservation and Innovation



SAS in the Enterprise

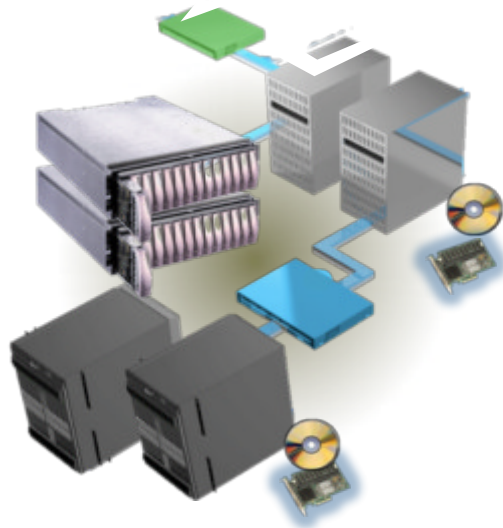


Mature - Market Readiness



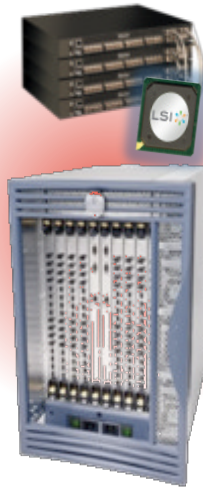
SAS & SATA Span the Storage Spectrum

Direct Attach Storage



- Controllers/ROCs
- Expanders
- SAS/SATA HDDs
- SAS/SATA SSDs
- Storage blades

SAS Fabrics



- Expanders
- SAS switches
- Bridges
- Port multiplexers

External Storage



- NAS/SAN heads
- Native SAS connect
- Controllers/ROCs
- Expanders
- SAS/SATA HDDs
- SAS/SATA SSDs
- SAS/SATA tape

HDD/SSD



- SAS drives
- SATA drives
- Near-line SAS
- Drive carriers
- Drive controllers