



Serial Attached SCSI Quiz questions



by Rob Elliott

HP Industry Standard Servers

Server Storage Advanced Technology

elliott@hp.com <http://www.hp.com>

30 September 2003

- These slides are freely distributed by HP through the SCSI Trade Association (<http://www.scsita.org>)
- STA members are welcome to borrow any number of the slides (in whole or in part) for other presentations, provided credit is given to the SCSI Trade Association and HP
- This compilation is © 2003 Hewlett-Packard Corporation

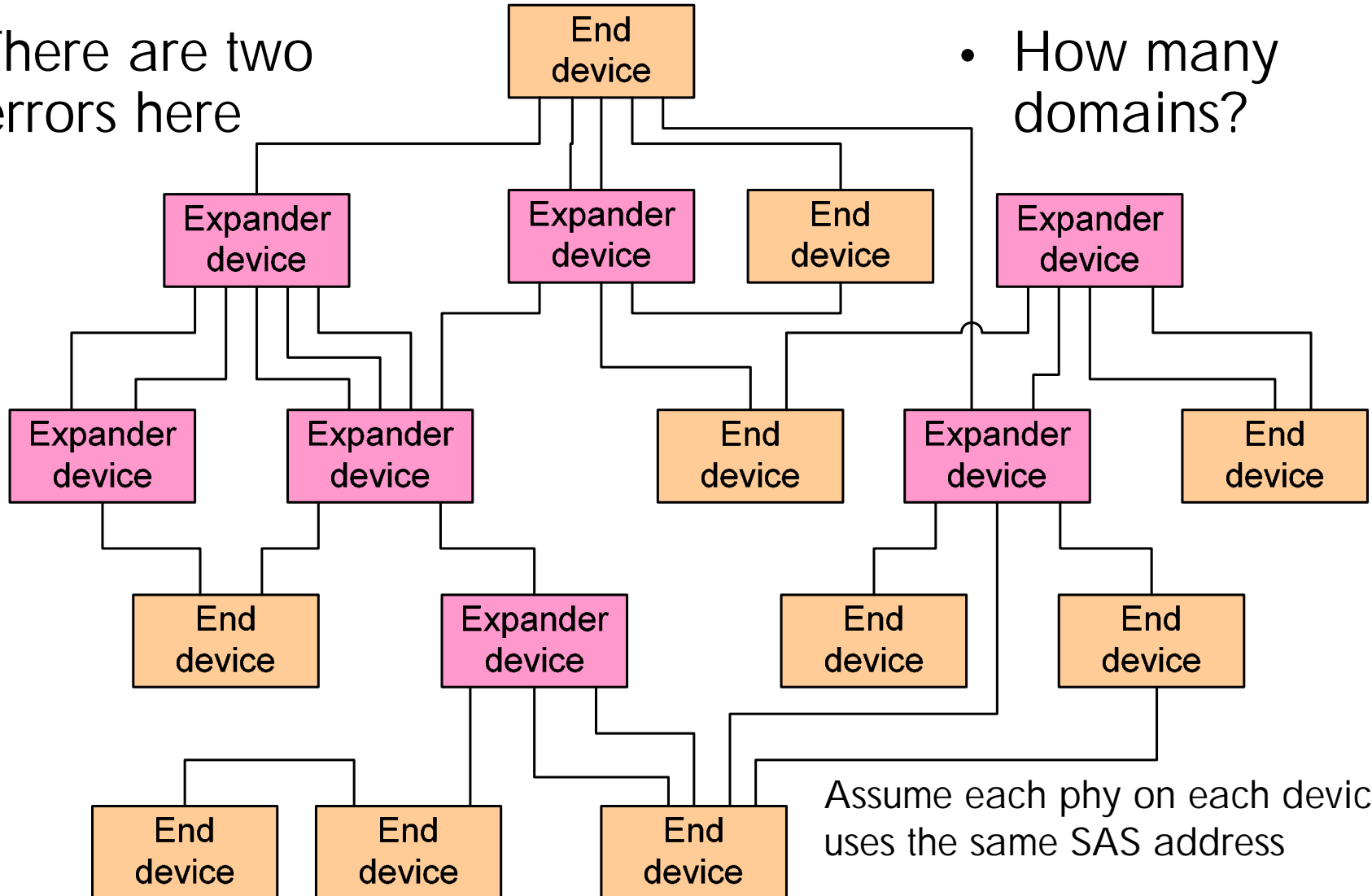


SAS expander topology quiz



- There are two errors here

- How many domains?



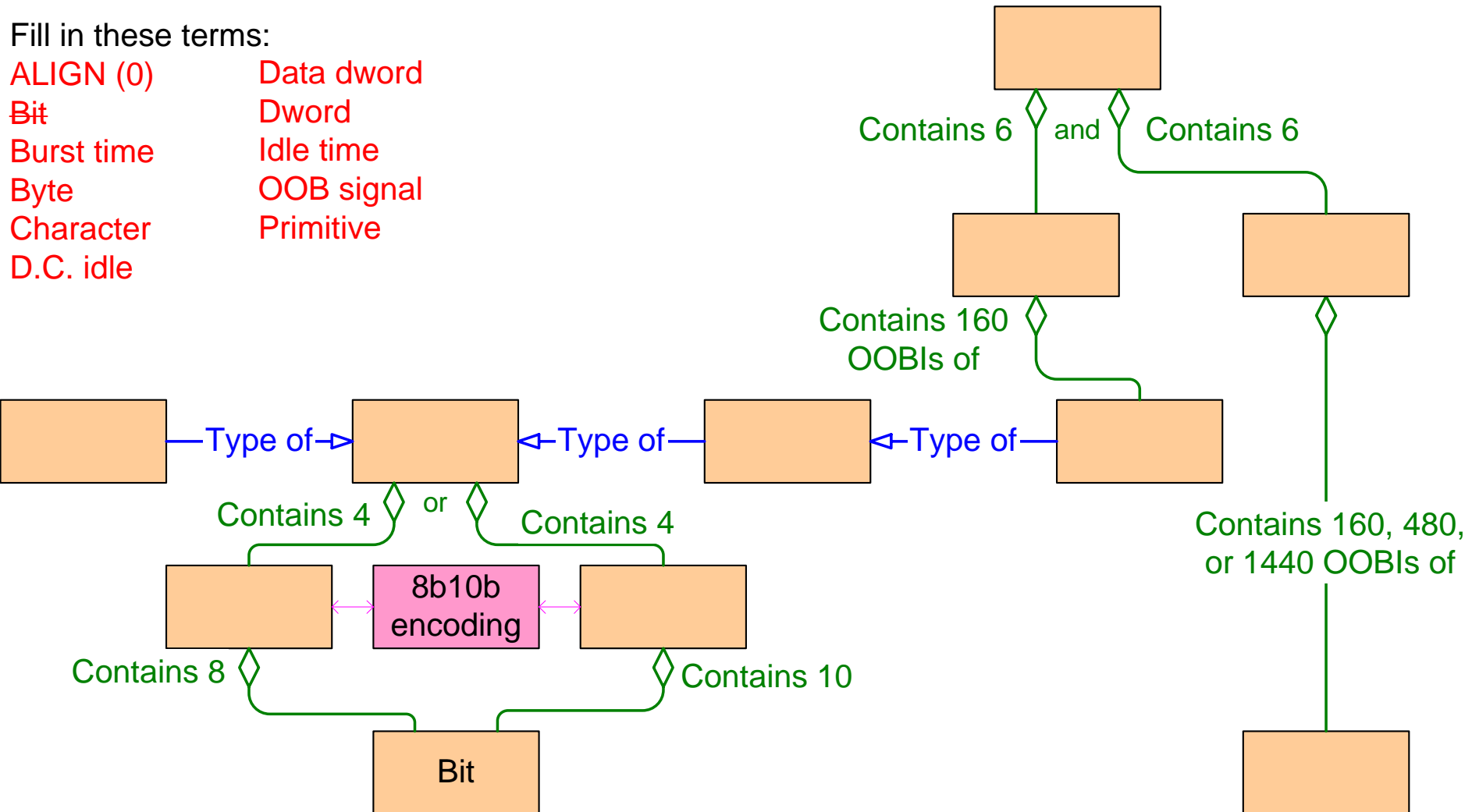
Assume each phy on each device uses the same SAS address

SAS phy layer quiz



Fill in these terms:

- ALIGN (0)
- Bit
- Burst time
- Byte
- Character
- D.C. idle
- Data dword
- Dword
- Idle time
- OOB signal
- Primitive

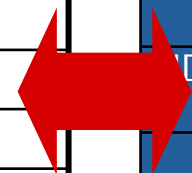


SAS link layer quiz



- Fill in the typical expected results

	Send	Hope to receive
No connection	IDENTIFY address frame or HARD_RESET	
	OPEN address frame	
Connection established	CLOSE	
	BREAK	
SATA/STP connection	SATA_X_RDY	
	SATA_R_RDY	
	SATA_SOF	
	SATA_EOF	
	SATA_SYNC	
SSP connection	RRDY	
	EOF	
	DONE	
SMP connection	SMP request frame	



ACK or NAK
AIP, OPEN_ACCEPT, OPEN_REJECT
BREAK
CLOSE
DONE
IDENTIFY address frame or HARD_RESET
SATA_R_IP
SATA_R_OK or SATA_R_ERR
SATA_R_RDY
SATA_SOF
SATA_SYNC
SMP response frame
SOF

SAS transport layer quiz



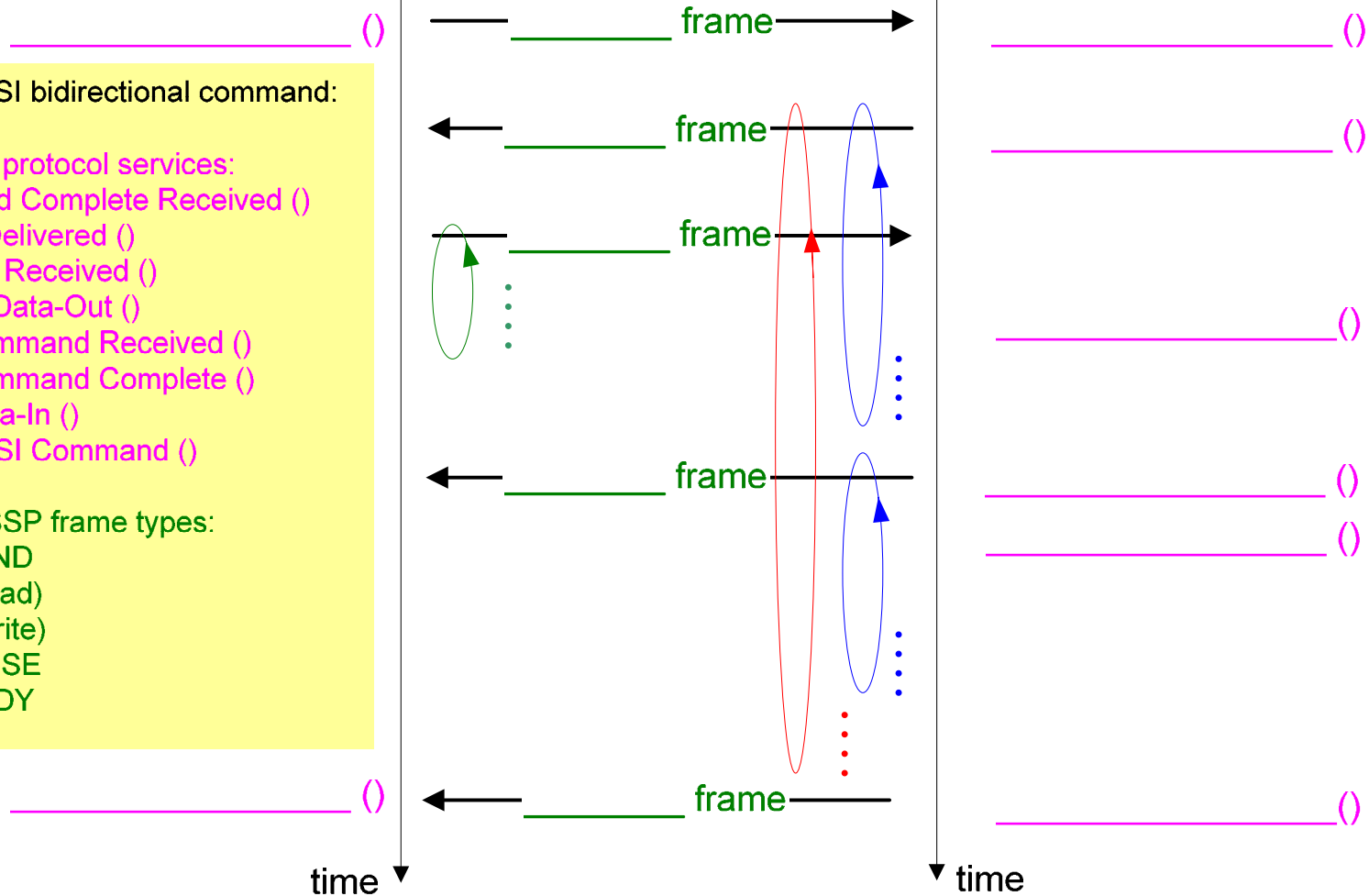
For a SCSI bidirectional command:

Fill in the protocol services:
 Command Complete Received ()
 Data-In Delivered ()
 Data-Out Received ()
 Receive Data-Out ()
 SCSI Command Received ()
 Send Command Complete ()
 Send Data-In ()
 Send SCSI Command ()

and the SSP frame types:
 COMMAND
 DATA (read)
 DATA (write)
 RESPONSE
 XFER_RDY

SSP initiator port

SSP target port





i n v e n t